



# MGC Health™ Bath Seat with Back Rest in Microban®

POWERED BY  
**MICROBAN®**



**MGC HEALTH™ Bath Seat with Back Rest with MICROBAN antimicrobial and antifungal technology is a must-have bathroom aid accessory to prevent slips and falls in the shower or a bathtub. This Bath Seat provides a safe bathing experience for people who have trouble standing & walking. MGC Health Bath Seat ensures a stable place for patient to sit on when showering. MGC Health Bath Safety products provide you with best value for your money. We place great importance on the quality and usability of our Bath Safety Product Items. They are produced for MGC HEALTH at high-quality manufacturing facilities, they passed rigorous safety and durability testing by Bureau Veritas, & each shipment has been inspected by SGS. All MGC Health products come with a limited lifetime warranty.**

## Key Product Features

1. Protected by MICROBAN Antimicrobial & Antifungal Technology that helps prevent the growth of damaging stains and odor-causing bacteria on the product
2. Weight Capacity: 300 lb, Strongly Built with durable and corrosion proof Aluminum frame with Height adjustable legs
3. Tool-free assembly makes it remarkably easy for seniors to assemble the Bath Seat by themselves
4. Provides comfort & safe experience while bathing and helps seniors, elderly, disabled and people recovering from injury
5. Convenient for people lacking strength, stamina and people who are in pain & helps patient maintain independence
6. Safe in the bathtub with non slip rubber feet that firmly hold the seat in place and makes it easier for seniors to use and prevent from slipping while bathing.




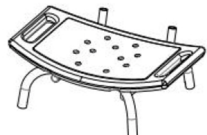
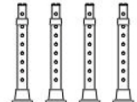

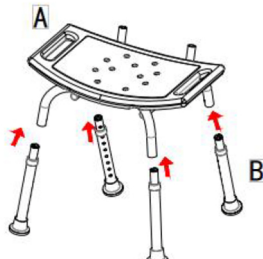

## Product & Packaging Specification

Specification	Description
UPC	383173000191
MGC Ref	IT000050
Material	HDPE, Aluminum
Seat Dimensions	13.5" W x 16" H
Seat Height	16" - 22"
Product Weight	8.8 lbs
Weight Capacity	300 lbs
Warranty	Limited Lifetime
Retail Box Shelf dimensions	29.1 x 21.1 x 15.4
Shipping Dimensions	29 x 22.1 x 15.5
Units per Case	4
Cases per pallet	6

## Assembly Instruction

- A. Bench 1
- B. Aluminum Extension Legs 4
- C. Backrest 1

### IT000050

Hardware List			
	<b>A: 1PCS</b> 	<b>B: 4PCS</b> 	<b>C: 1PCS</b> 
<b>1.install foot tube</b> 	<b>2.install back</b> 	<b>3.complete</b> 