



MGC Health™ Aluminum Shower Stool in Microban®

POWERED BY
MICROBAN®

MGC HEALTH™ Aluminum Shower Stool with MICROBAN anti Microbial & anti fungal technology is a must-have bathroom aid accessory to prevent slips & falls in the shower or a bathtub. This bath stool has a padded rotating seat, that locks every 90 degrees to provide extra flexibility and usability for people who have trouble standing and walking. Its 360 degrees rotation function permits safe & comfortable bathing from all sides. This top-of-the-line bath stool is made durable Aluminum frame. MGC Health Bath Safety products provide you with best value for your money. We place great importance on the quality and usability of our Bath Safety Product Items. They are produced for MGC HEALTH at high-quality manufacturers, they passed rigorous safety & durability testing by Bureau Veritas, and each shipment has been inspected by SGS. All MGC Health products come with a limited lifetime warranty,

Key Product Features

1. Protected by MICROBAN Antimicrobial & Antifungal Technology that helps prevent the growth of damaging stains and odor-causing bacteria on the product
2. Weight Capacity: 300 lb, Strongly Built with durable and corrosion proof Aluminum frame with Height adjustable legs and seat height can be adjusted from 16" to 22".
3. Tool-free assembly makes it remarkably easy for seniors to assemble the Bath Stool by themselves
4. Seat rotates 360 degrees to reduce twisting and reaching when in shower and helps seniors minimal physical movements to provide comfort
5. Lightweight bath stool is easily movable and provides comfort and safe experience while bathing to help seniors, elderly, disabled and people recovering from injury
5. Convenient for people lacking strength, stamina and people who are in pain & helps patient maintain independence
6. Safe in the bathtub with non slip rubber feet that firmly hold the seat in place and makes it easier for seniors to use and prevent from slipping while bathing.



Product & Packaging Specification

Specification	Description
UPC	383173000474
MGC Ref	IT000062
Material	HDPE, Aluminum
Seat Dimensions	14" W x 14" D x 16" H
Seat Height	14" - 19"
Product Weight	5 lbs
Weight Capacity	300 lbs
Warranty	Limited Lifetime
Retail Box Shelf dimensions	16.5 x 13.4 x 14.9
Shipping Dimensions	16.5 x 13.4 x 14.9
Units per Case	4
Cases per pallet	18

Assembly Instruction

A. Aluminum Legs 2



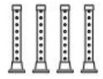

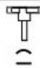
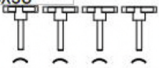
B. Aluminum Extension Legs 4

C. Seat 1

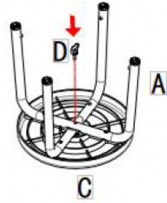
D. T-Handle screws Big 1

E. T-Handle screws small 4

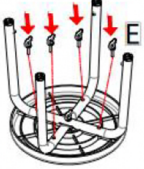
IT000062

Hardware List			
	A: 2PCS 	B: 4PCS 	
C: 1PCS 	D: 1SET T-handle M6X25 	E: 1SET T-handle M6X36 	

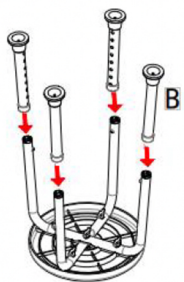
1.install seat



2.install seat



3.install foot tube



4.complete

